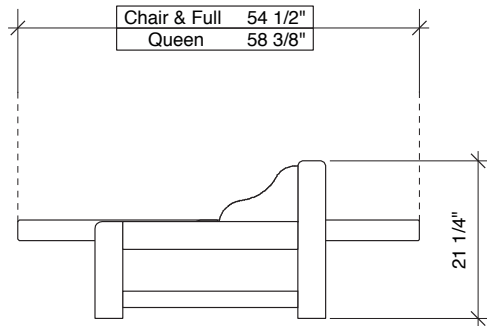
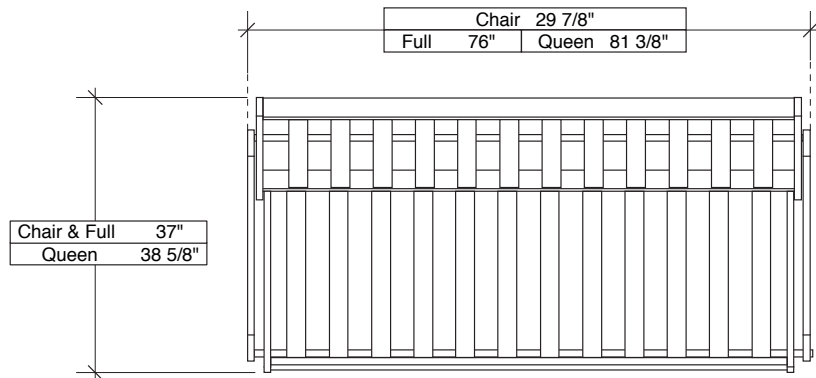


SEATING POSITION



BED POSITION



SEATING POSITION – Top View

Assembled Product Dimensions\*

Shoefittings™ Bronze System Arms (Box 1)

Eureka					Net		Gross	
	H	W	L	m3	Kg	lbs		
	65	595	855	0.033 m3	5.5	12	6.5	14
	inches 2 5/8"	23 1/2"	33 5/8"	1.17 cu.ft.				

Shoefittings™ Bronze System Body (Box 2)

Chair					Net		Gross	
	H	W	L	m3	Kg	lbs		
	130	790	870	0.089 m3	13	29	15.5	34
	inches 5 1/8"	31 1/8"	34 1/4"	3.15 cu.ft.				
Full					Net		Gross	
	H	W	L	m3	Kg	lbs		
	130	875	1955	0.222 m3	30	66	34.5	76
	inches 5 1/8"	34 1/2"	77"	7.85 cu.ft.				
Queen					Net		Gross	
	H	W	L	m3	Kg	lbs		
	130	970	2095	0.264 m3	33	73	37.5	83
	inches 5 1/8"	38 1/4"	82 1/2"	9.33 cu.ft.				

Carton Dimensions\*