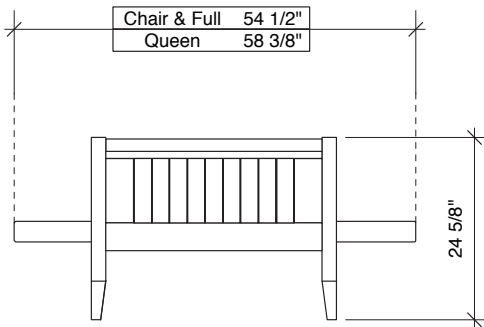
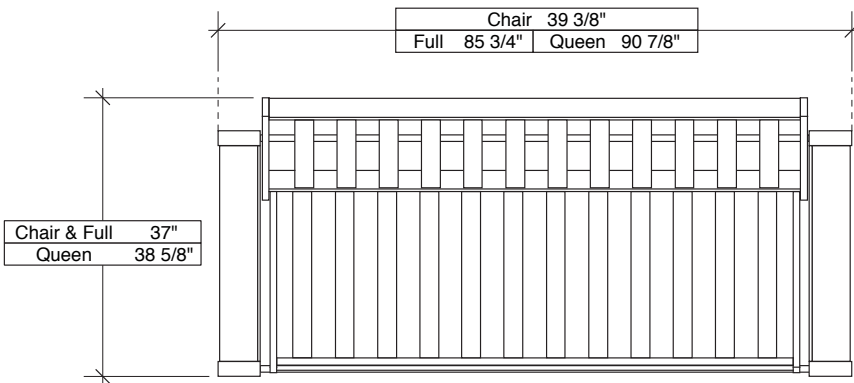


SEATING POSITION



BED POSITION



SEATING POSITION – Top View

Assembled Product Dimensions*

Shoefittings™ Bronze System Arms (Box 1)

	H	W	L	m3		Net	Gross	
Venice	mm	155	775	940	0.113 m3	Kg	16.5	18
	inches	6 1/8"	30 1/2"	37 1/8"	3.99 cu.ft.	lbs	36	40

Shoefittings™ Bronze System Body (Box 2)

	H	W	L	m3		Net	Gross	
Chair	mm	130	790	870	0.089 m3	Kg	13	15.5
	inches	5 1/8"	31 1/8"	34 1/4"	3.15 cu.ft.	lbs	29	34
Full	mm	130	875	1955	0.222 m3	Kg	30	34.5
	inches	5 1/8"	34 1/2"	77"	7.85 cu.ft.	lbs	66	76
Queen	mm	130	970	2095	0.264 m3	Kg	33	37.5
	inches	5 1/8"	38 1/4"	82 1/2"	9.33 cu.ft.	lbs	73	83

Carton Dimensions*