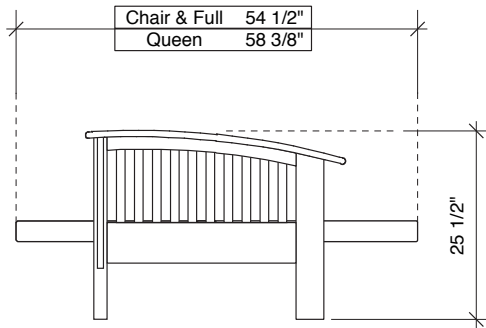
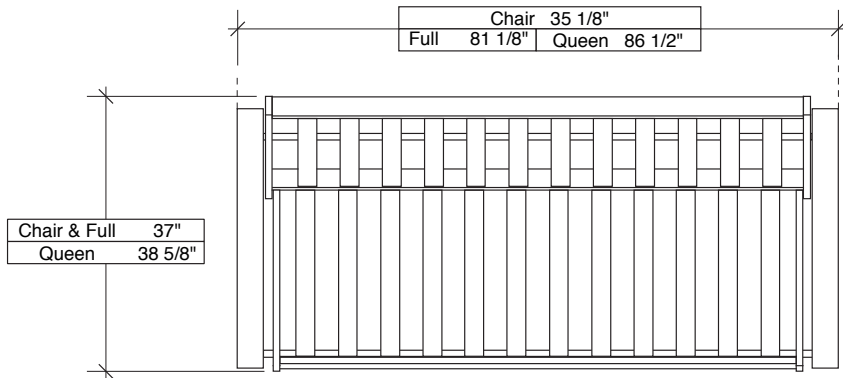


SEATING POSITION



BED POSITION



SEATING POSITION – Top View

Assembled Product Dimensions*

Shoefittings™ Bronze System Arms (Box 1)

	H	W	L	m3	Net		Gross	
					Kg	lbs	11	24
Winchester	mm 115	745	960	0.082 m3				
	inches 4 1/2"	29 3/8"	37 7/8"	2.90 cu.ft.				

Shoefittings™ Bronze System Body (Box 2)

	H	W	L	m3	Net		Gross	
					Kg	lbs	13	29
Chair	mm 130	790	870	0.089 m3				
	inches 5 1/8"	31 1/8"	34 1/4"	3.15 cu.ft.				
Full	mm 130	875	1955	0.222 m3				
	inches 5 1/8"	34 1/2"	77"	7.85 cu.ft.				
Queen	mm 130	970	2095	0.264 m3				
	inches 5 1/8"	38 1/4"	82 1/2"	9.33 cu.ft.				

Carton Dimensions*